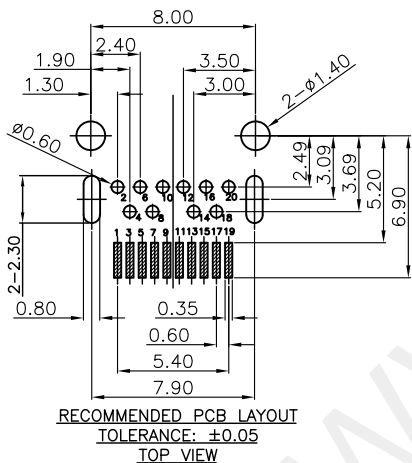


**MATERIALS**

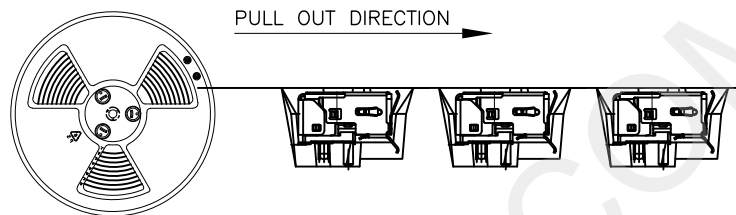
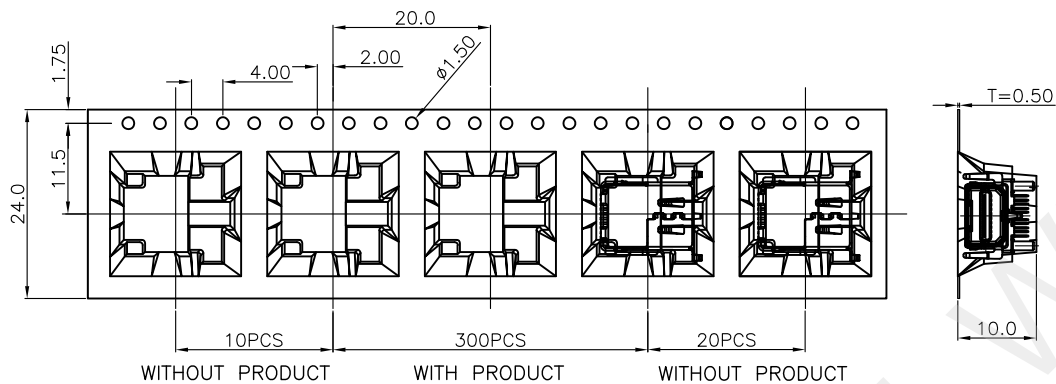
- HOUSING&COVER : LCP BLACK.
- TERMINAL : C2680 (T=0.20mm)  
PLATING: GOLD PLATED ON CONTACT AREA,  
MATTE TIN PLATED . ON SOLDER TAILS,  
UNDER NICKEL PLATED.
- SHELL : SUS304 (T=0.30mm)  
PLATING: NICKEL PLATED OVERALL.
- SPRING SHELL: SUS304-3/4H (T=0.20mm).

**SPECIFICATION**

- CURRENT RATING: 0.5A MIN., 3.3V 3A FOR PIN#20(POWER PIN) REFER TO THE ATTACHED MATERIAL SPECIFICATION TEST CONDITIONS,THE PIN#20 CAN MEET 3A TEMPERATURE RISE IS LESS THAN 30°C
- CONTACT RESISTANCE : 30mΩ MAX.
- DIELECTRIC WITHSTANDING VOLTAGE :  
500V AC R.M.S. FOR ONE MINUTE.
- INSULATION RESISTANCE : 100MΩ MIN AT 500V DC.
- OPERATING TEMPERATURE : -40°C TO +85°C.
- DURABILITY : 10000 CYCLES.
- MATING FORCE : 4.5Kgf MAX.
- UNMATING FORCE : 1.0Kgf~4.0Kgf.



 <b>深圳市华宇创精密电子有限公司</b>			
<b>TOLERANCE:</b> X.X ±0.30 X.XX ±0.25 X.XXX ±0.15 X.' ±2' X.X' ±0.5'	<b>DRAWN BY :</b> 陈一鸣	<b>DATE :</b> 2014-02-23	<b>PART NAME:</b> MINI DP SMT式 带3弹片母座(中心高3.8)
	<b>CHECKED BY:</b> 马跃	<b>DATE :</b> 2014-02-23	<b>PART NO.</b> HYC31-MDP20-038
 <b>UNIT: mm [inch]</b> <b>SCALE:1:1 SIZE: A4</b>	<b>APPROVED BY:</b> 邱敏	<b>DATE :</b> 2014-02-23	<b>MOLD NO.</b>
			<b>DRAW NO:</b> HYC-2603301440
			<b>SHEET NO.</b> 1 OF 1



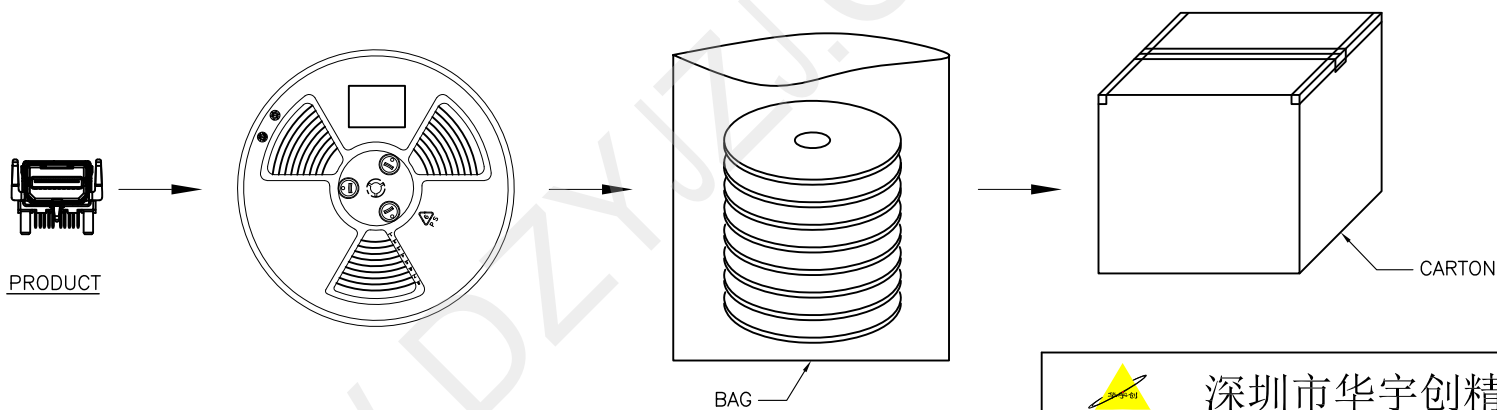
**PACKAGE**


1. SIZE :

REEL : DIA.=330mm  
 CORTON : 350x350x340mm (LxWxH)

2. QUANTITY :

300 PCS/REEL  
 11 REEL/CARTON = 3300PCS



 <b>深圳市华宇创精密电子有限公司</b>				
TOLERANCE: X.X ±0.30 X.XX ±0.25 X.XXX ±0.15 X.' ±2'    X.X' ±0.5'	DRAWN BY :	DATE :	PART NAME:	
	陈一鸣	2014-02-23	包装图	
UNIT: mm [inch] SCALE:1:1    SIZE: A4	CHECKED BY:	DATE :	PART NO.	
	马跃	2014-02-23	MOLD NO.	
	APPROVED BY:	DATE :	DRAW NO:	
	邱敏	2014-02-23	SHEET NO.	1 OF 1